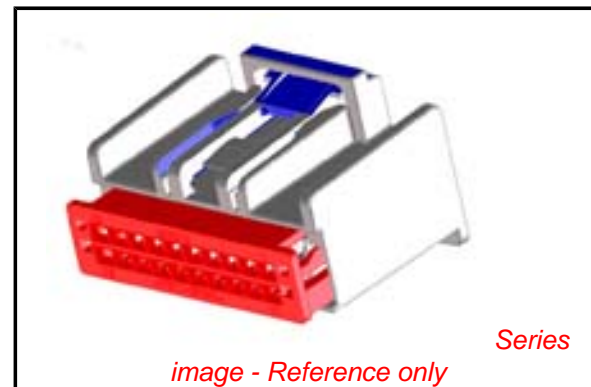


PLEASE CHECK WWW.MOLEX.COM FOR LATEST PART INFORMATION

Part Number: [0307001148](#)
Status: **Active**
Overview: hdac 64 dualrow high density automotive connectors
Description: 2.54mm (.100") Pitch, 0.64mm (.025") Width H-DAC 64™ High Density Automotive Connectors, Dual Row, Female Harness Assembly, 14 Circuits, Polarization Option 2, Black

Documents:

Application Specification (PDF)	Product Specification PS-30968-0001 (PDF)
Drawing (PDF)	RoHS Certificate of Compliance (PDF)
Product Specification PS-30700-0001 (PDF)	



General

Product Family	Crimp Housings
Series	30700
Comments	Polarization Option 2
Overview	hdac 64 dualrow high density automotive connectors
Product Name	H-DAC 64™

Physical

Circuits (maximum)	14
Color - Resin	Black, Red
Gender	Female
Glow-Wire Compliant	No
Lock to Mating Part	Yes
Material - Resin	Modified Polystyrene Alloy, Polyester
Number of Rows	2
Packaging Type	Bag
Panel Mount	No
Pitch - Mating Interface (in)	0.100 In
Pitch - Mating Interface (mm)	2.54 mm
Polarized to Mating Part	Yes
Stackable	No
Temperature Range - Operating	-40°C to +105°C

Electrical

Current - Maximum per Contact	7A
-------------------------------	----

Material Info

Reference - Drawing Numbers

Packaging Specification	PK-30907-417
Product Specification	PS-30700-0001, PS-30968-0001
Sales Drawing	SD-30700-120

EU RoHS

ELV and RoHS Compliant
REACH SVHC Contains SVHC: No
Halogen-Free Status

China RoHS



Not Reviewed

Need more information on product environmental compliance?

Email productcompliance@molex.com
 For a multiple part number RoHS Certificate of Compliance, [click here](#)

Please visit the [Contact Us](#) section for any non-product compliance questions.

Search Parts in this Series

[30700Series](#)

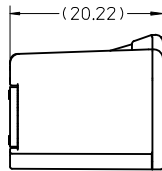
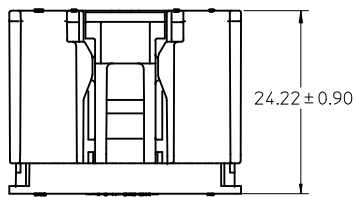
Mates With

[30700 Header](#), [30968 Crimp Housing](#)

Use With

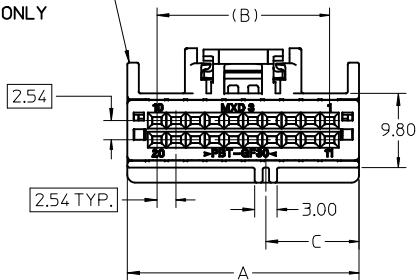
[34230 Terminal](#)

CONNECTORS WITHOUT BRIDGE OPTION

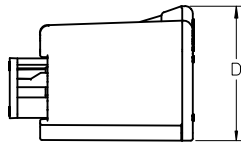


TPS SHOWN IN FULLY SEATED POSITION

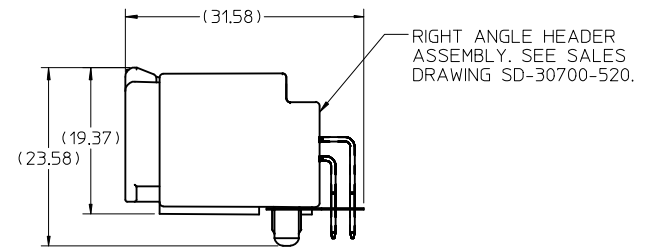
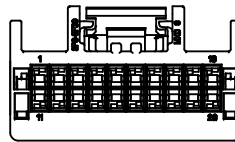
SCOOP PROOF RIBS FOR CIRCUIT SIZES 14 THROUGH 20 ONLY



20 CIRCUIT HARNESS ASSEMBLY SHOWN

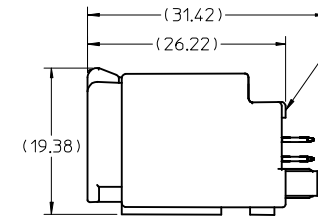


WITH TPA IN PRE-LOAD (AS SHIPPED)



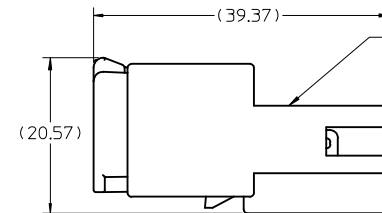
MATED VIEW

RIGHT ANGLE HEADER ASSEMBLY. SEE SALES DRAWING SD-30700-520.



MATED VIEW

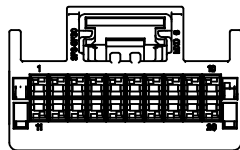
VERTICAL HEADER ASSEMBLY. SEE SALES DRAWING SD-30700-420.



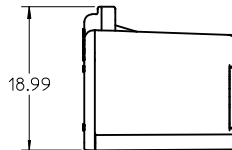
MATED VIEW

MALE INLINE HARNESS ASSEMBLY. SEE SALES DRAWING SD-30968-120.

CONNECTORS WITH BRIDGE OPTION



20 CIRCUIT HARNESS ASSEMBLY SHOWN

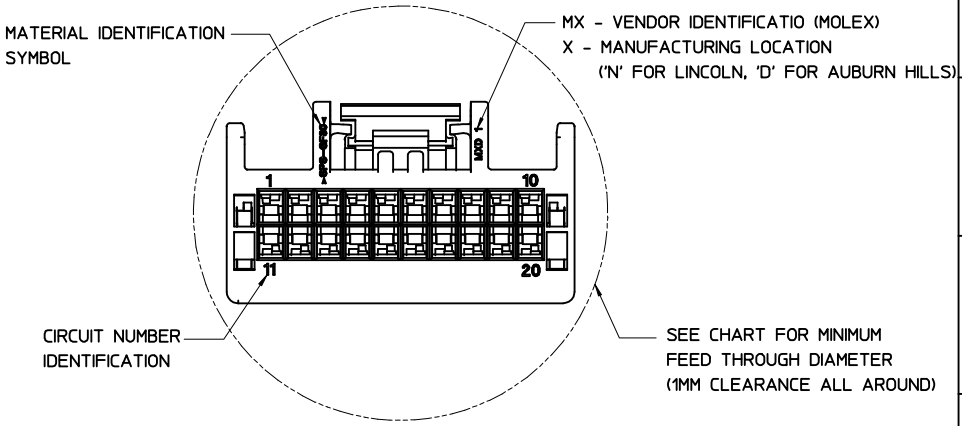
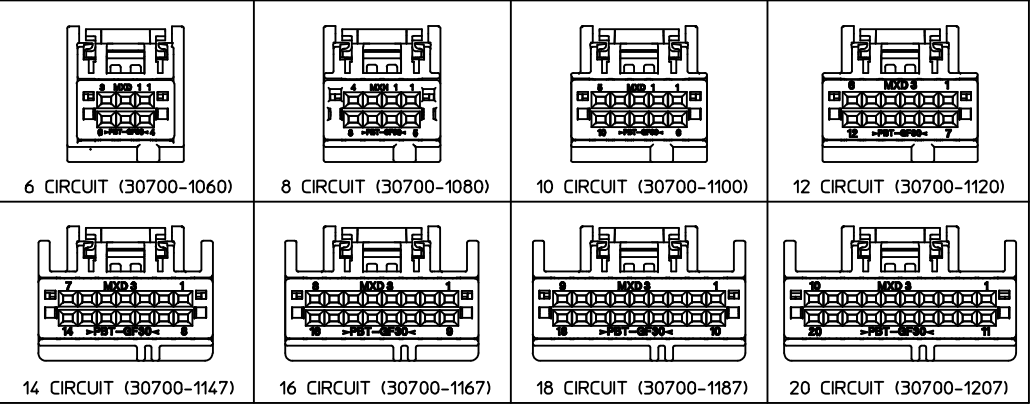
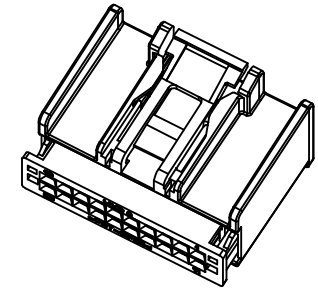


NOTES:

- MATERIAL: HOUSING: SPS, GLASS FILLED, COLOR: SEE CHART. TPA: PBT, GLASS FILLED, COLOR: RED.
- PRODUCT SPECIFICATION: PS-30700-0001
- PACKAGING SPECIFICATION: PK-30907-417
- MATES WITH: SERIES 30700 & 30968, SEE SALES DRAWINGS SD-30700-520, SD-30700-420 & SD-30968-120.

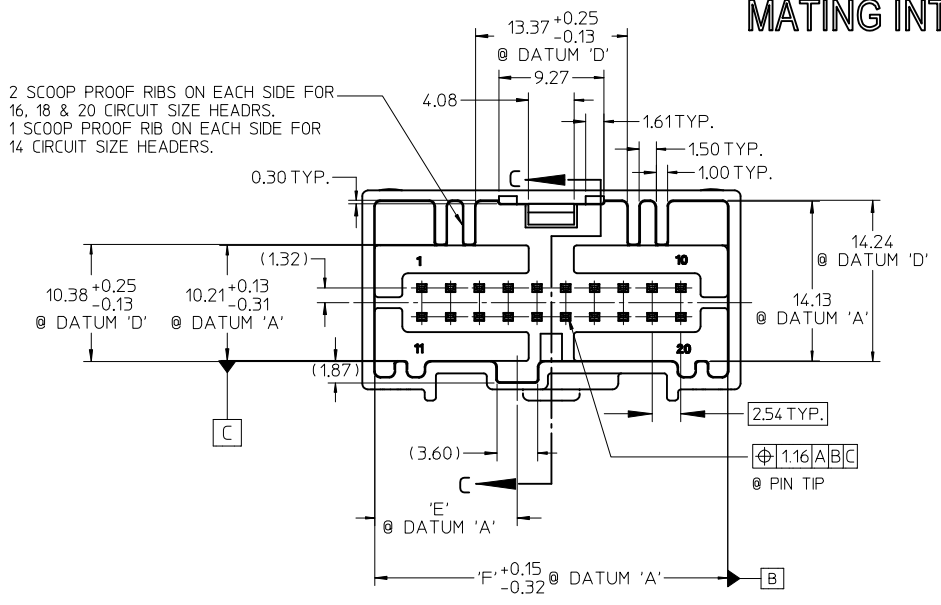
EC NO: UAU2008-0514 DRWN:BDICK01 2008/09/24 CHKD:MBAILLEY 2008/09/24 APPR:SMARCEA2008/09/25	QUALITY SYMBOLS ▽ - 0 ∇ - 0	GENERAL TOLERANCES (UNLESS SPECIFIED)		SCALE 2:1	DESIGN UNITS METRIC	THIRD ANGLE PROJECTION	REVISE ON CAD ONLY	
		mm	INCH	DIMENSION STYLE MM ONLY		TITLE 6-20 CIRCUIT HARNESS ASSEMBLY		
		4 PLACES ± ---	± ---	DRAWN BY RCARLSON	DATE 01/03/23	MOLEX INCORPORATED		
		3 PLACES ± ---	± ---	CHECKED BY CKRISHNA	DATE 01/03/27			
2 PLACES ± 0.13	± ---	ANGULAR ± 1/2°		APPROVED BY LGIEIB	DATE 01/03/28	MATERIAL NO. SEE CHART	DOCUMENT NO. SD-30700-120	
1 PLACE ± 0.25	± ---	DRAFT WHERE APPLICABLE MUST REMAIN WITHIN DIMENSIONS		SHEET NO. 1 OF 3				
THIS DRAWING CONTAINS INFORMATION THAT IS PROPRIETARY TO MOLEX INCORPORATED AND SHOULD NOT BE USED WITHOUT WRITTEN PERMISSION								

ASSEMBLY PART NUMBER		POLARIZATION OPTIONS & CIRCUIT SIZE		PRODUCT DIMENSIONS					PASS THRU HOLE DIA FOR HARNESS	MATING INTERFACE DIMENSIONS	
WITHOUT BRIDGE	WITH BRIDGE	HARNESS ASSEMBLY (POLARIZATION OPTIONS)	CIRCUIT SIZE	A REF.	(B)	C	D	HOUSING COLOR		E	F
30700-1207	31389-1207	POLARIZATION OPTION #1	20	30.69	22.86	12.35	17.79	GRAY	36.5	12.57	31.14
30700-1208	31389-1208	POLARIZATION OPTION #2	20	30.69	22.86	15.35	17.79	BLACK	36.5	15.57	31.14
30700-1209	31389-1209	POLARIZATION OPTION #3	20	30.69	22.86	18.35	17.79	NATURAL (CREAM)	36.5	18.57	31.14
30700-1187	31389-1187	POLARIZATION OPTION #1	18	28.15	20.32	11.08	17.79	GRAY	34.0	11.31	28.60
30700-1188	31389-1188	POLARIZATION OPTION #2	18	28.15	20.32	14.08	17.79	BLACK	34.0	14.31	28.60
30700-1189	31389-1189	POLARIZATION OPTION #3	18	28.15	20.32	17.08	17.79	NATURAL (CREAM)	34.0	17.31	28.60
30700-1167	31389-1167	POLARIZATION OPTION #1	16	25.61	17.78	9.81	17.79	GRAY	32.0	10.04	26.06
30700-1168	31389-1168	POLARIZATION OPTION #2	16	25.61	17.78	12.81	17.79	BLACK	32.0	13.04	26.06
30700-1169	31389-1169	POLARIZATION OPTION #3	16	25.61	17.78	15.81	17.79	NATURAL (CREAM)	32.0	16.04	26.06
30700-1147	31389-1147	POLARIZATION OPTION #1	14	23.07	15.24	8.54	17.79	GRAY	30.0	8.77	23.52
30700-1148	31389-1148	POLARIZATION OPTION #2	14	23.07	15.24	11.54	17.79	BLACK	30.0	11.77	23.52
30700-1149	31389-1149	POLARIZATION OPTION #3	14	23.07	15.24	14.54	17.79	NATURAL (CREAM)	30.0	14.77	23.52
30700-1120	31389-1120	POLARIZATION OPTION #1	12	20.53	12.70	7.25	17.98	GRAY	27.5	7.50	20.98
30700-1121	31389-1121	POLARIZATION OPTION #2	12	20.53	12.70	10.27	17.98	BLACK	27.5	10.50	20.98
30700-1122	31389-1122	POLARIZATION OPTION #3	12	20.53	12.70	13.27	17.98	NATURAL (CREAM)	27.5	13.50	20.98
30700-1100	31389-1100	POLARIZATION OPTION #1	10	17.99	10.16	6.00	17.98	GRAY	26.4	6.23	18.44
30700-1101	31389-1101	POLARIZATION OPTION #2	10	17.99	10.16	9.00	17.98	BLACK	26.4	9.23	18.44
30700-1102	31389-1102	POLARIZATION OPTION #3	10	17.99	10.16	12.00	17.98	NATURAL (CREAM)	26.4	12.23	18.44
30700-1080	31389-1080	POLARIZATION OPTION #1	8	15.45	7.62	4.73	17.98	GRAY	25.5	4.96	15.90
30700-1081	31389-1081	POLARIZATION OPTION #2	8	15.45	7.62	7.73	17.98	BLACK	25.5	7.96	15.90
30700-1082	31389-1082	POLARIZATION OPTION #3	8	15.45	7.62	10.73	17.98	NATURAL (CREAM)	25.5	10.96	15.90
30700-1060	31389-1060	POLARIZATION OPTION #1	6	15.44	5.08	3.46	17.98	GRAY	25.5	3.69	13.36
30700-1061	31389-1061	POLARIZATION OPTION #2	6	15.44	5.08	6.46	17.98	BLACK	25.5	6.69	13.36
30700-1062	31389-1062	POLARIZATION OPTION #3	6	15.44	5.08	9.46	17.98	NATURAL (CREAM)	25.5	9.69	13.36

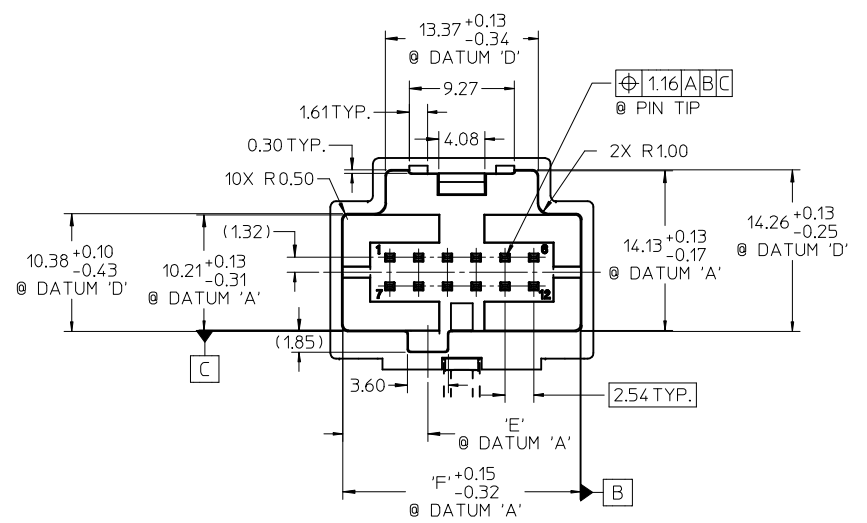


EC NO: UAU2008-0514 DRWN:BDICK01 2008/09/24 CHKD:MBAILLEY 2008/09/24 APPR:SMARCEA 2008/09/25	QUALITY SYMBOLS ▽ - 0 ▽ - 0	GENERAL TOLERANCES (UNLESS SPECIFIED)		SCALE 2:1	DESIGN UNITS METRIC	THIRD ANGLE PROJECTION	REVISE ON CAD ONLY
		mm	INCH	DIMENSION STYLE MM ONLY		TITLE	
		4 PLACES ± ---	± ---	DRAWN BY RCARLSON DATE 01/03/23		MOLEX INCORPORATED SEE CHART SD-30700-120	
		3 PLACES ± ---	± ---	CHECKED BY CKRISHNA DATE 01/03/27			
2 PLACES ± 0.13	± ---	APPROVED BY LGIEB DATE 01/03/28		MATERIAL NO. SEE CHART	DOCUMENT NO. SD-30700-120	SHEET NO. 2 OF 3	
1 PLACE ± 0.25	± ---	DRAFT WHERE APPLICABLE MUST REMAIN WITHIN DIMENSIONS		THIS DRAWING CONTAINS INFORMATION THAT IS PROPRIETARY TO MOLEX INCORPORATED AND SHOULD NOT BE USED WITHOUT WRITTEN PERMISSION			

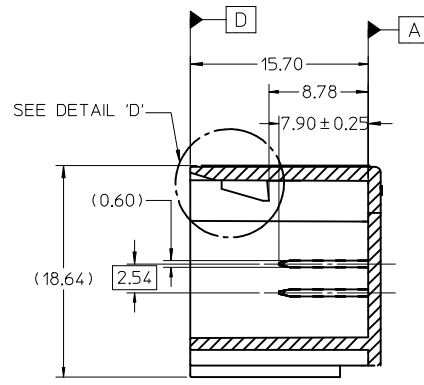
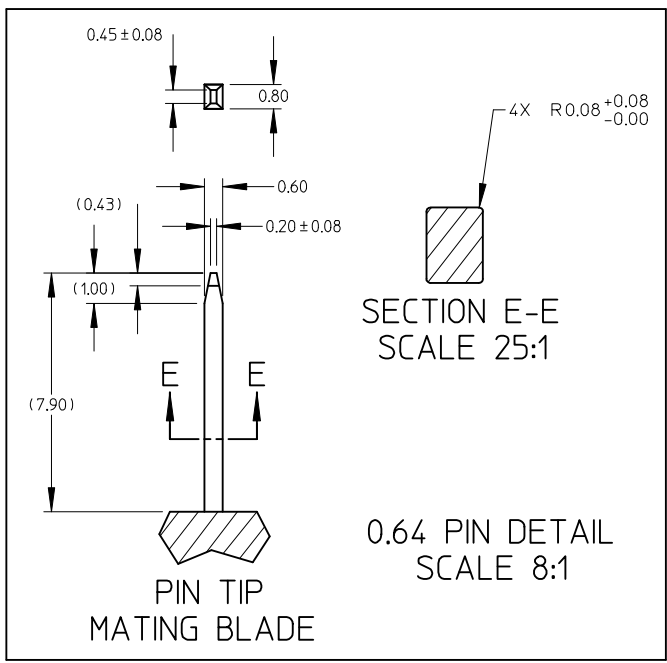
MATING INTERFACE DIMENSIONS (REFERENCE ONLY)



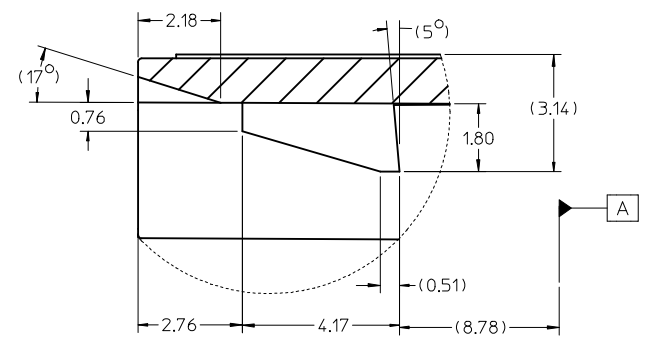
ABOVE VIEW APPLY TO 14, 16, 18 & 20 CIRCUIT ONLY



ABOVE VIEW APPLY TO 6, 8, 10 & 12 CIRCUIT ONLY



SECTION C-C



DETAIL 'D' SCALE 10:1

EC NO: UAU2008-0514 DRW: BDICK01 2008/09/24 CHK: SWARCE#008/09/24 APPR: MKNACK 2008/09/25	QUALITY SYMBOLS	GENERAL TOLERANCES (UNLESS SPECIFIED)		SCALE 1:1	DESIGN UNITS METRIC	THIRD ANGLE PROJECTION	REVISE ON CAD ONLY		
	REV DESCRIPTION 0 0		mm	INCH	DIMENSION STYLE		6-20 CIRCUIT HARNESS ASSEMBLY		
		4 PLACES ± --- ± ---			MM ONLY				
		3 PLACES ± --- ± ---			DRAWN BY DATE	RCARLSON01/03/23			
		2 PLACES ± 0.13 ± ---				MOLEX INCORPORATED APPROVED BY DATE MATERIAL NO. DOCUMENT NO. SHEET NO. LG EIB 01/03/28 SD-30700-120 3 OF 3			
		1 PLACE ± 0.25 ± ---							THIS DRAWING CONTAINS INFORMATION THAT IS PROPRIETARY TO MOLEX INCORPORATED AND SHOULD NOT BE USED WITHOUT WRITTEN PERMISSION
		ANGULAR ± 1/2 °		DRAFT WHERE APPLICABLE MUST REMAIN WITHIN DIMENSIONS					